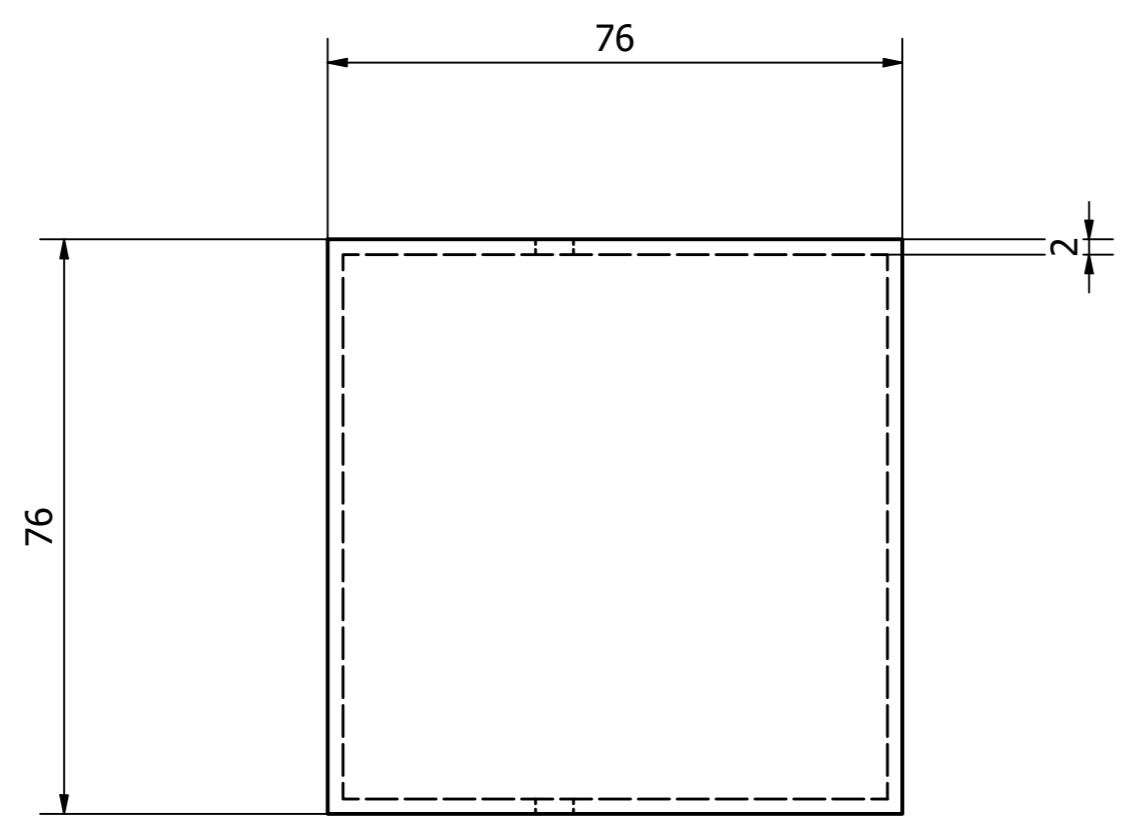
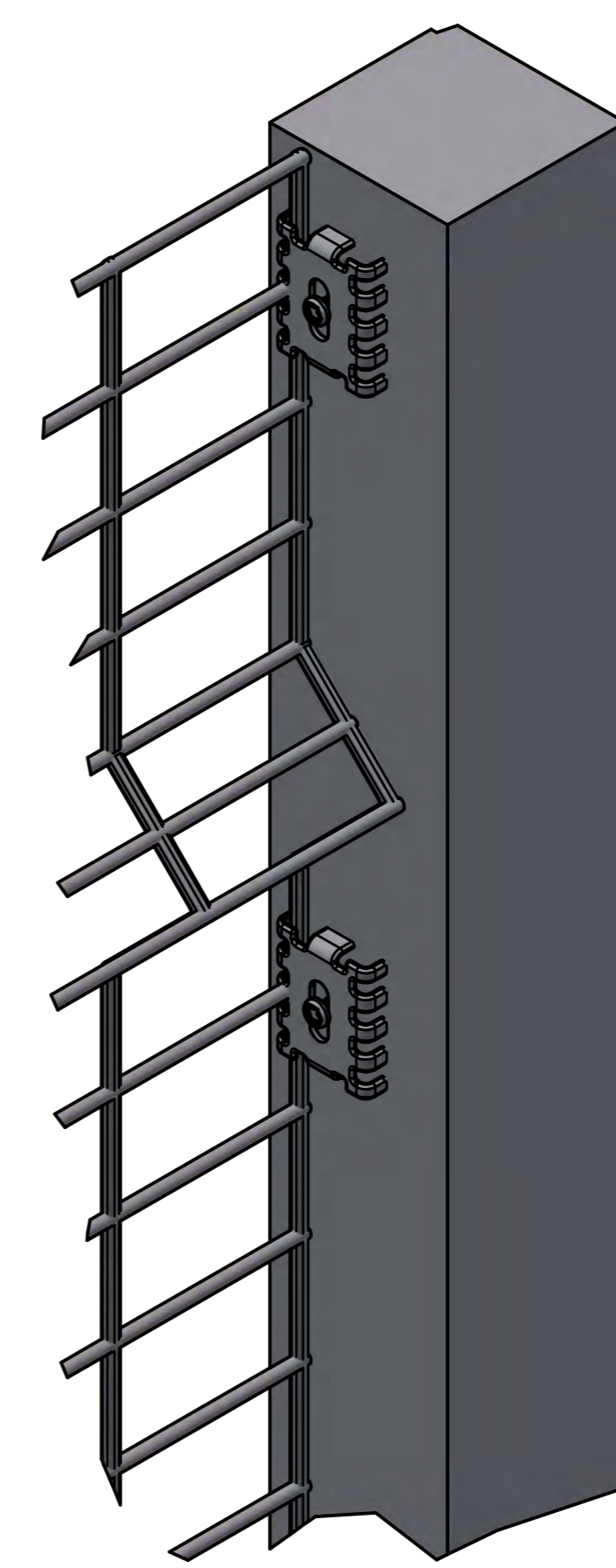


40 X 40X 5 THK
SPIDER CLAMP



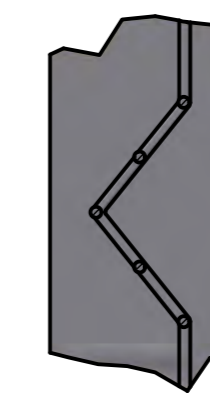
SQ Tubing 76 X 76 X 2 THK



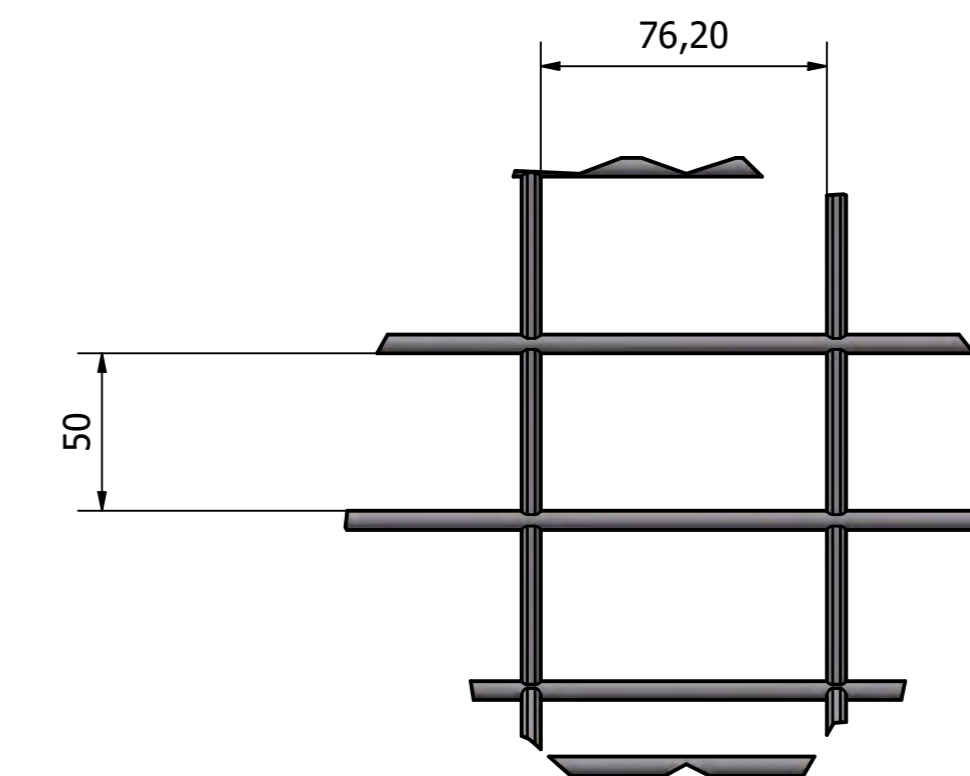
CLAMP DETAIL



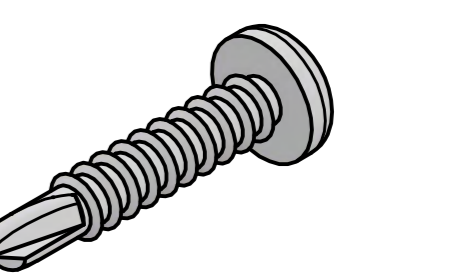
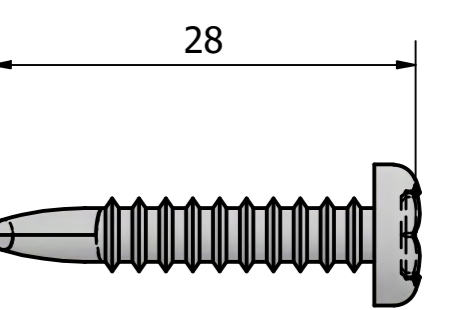
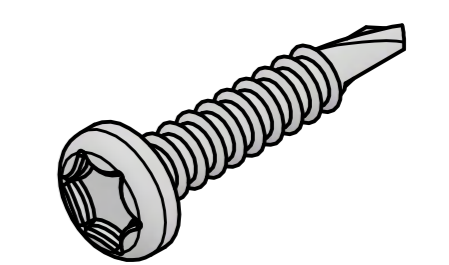
SPIDER CLAMP
ASSEMBLY



V BEND SIZE



MESH SIZE



Anodised
Self Tapping Screw

PARTS LIST			
ITEM	QTY	PART NUMBER	DESCRIPTION
3	1	CONCRETE BLOCK	
4	8	SPIDER CLAM ASSY	
5	38	MESH-PANNEL..	
6	1	76x76x2 Tubing	
7	1	76x76x2 Tubing	
8	1	CONCRETE BLOCK	
9	8	SPIDER CLAM ASSY	
10	1	MESH-PANNEL..	

MESHTech
SEE-THROUGH FENCING SPECIALISTS
WWW.MESHTech.CO.ZA

Designed by Jurgens	Checked by Weber	Approved by Weber	Date 2024/03/06	Date 2024/03/06	Sheet 1 / 1
------------------------	---------------------	----------------------	--------------------	--------------------	----------------